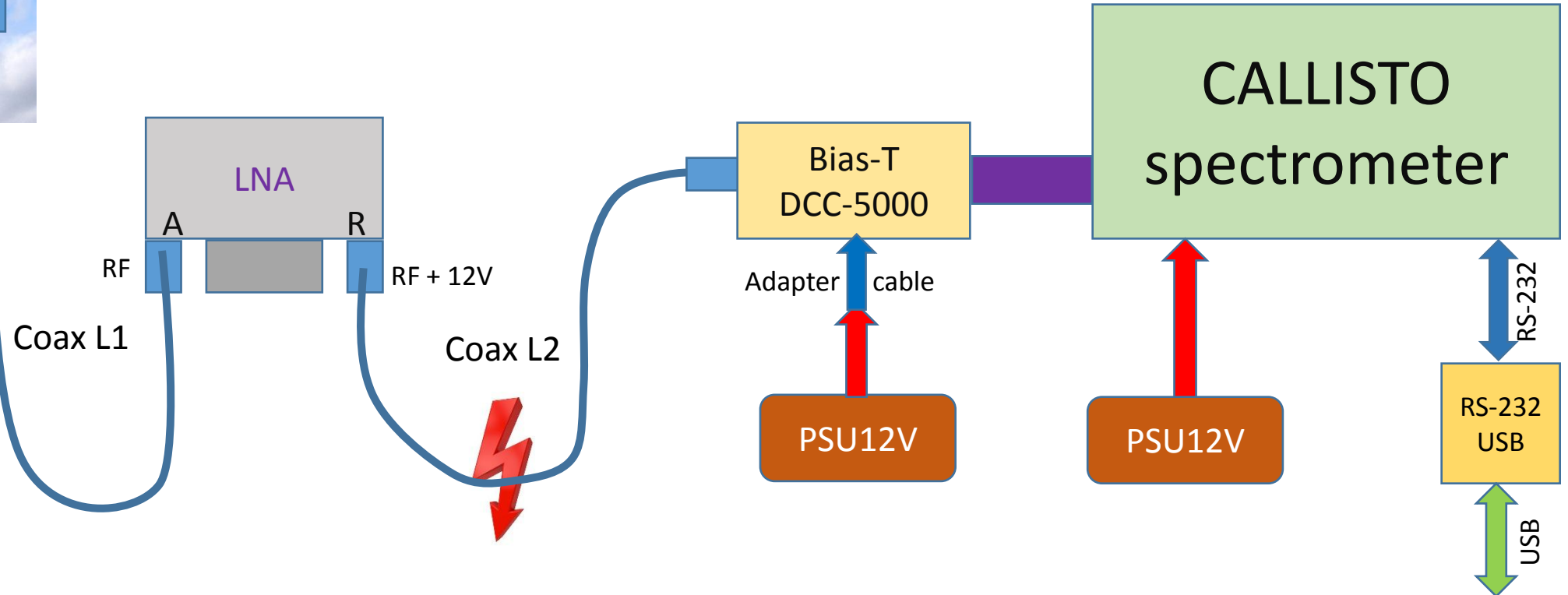


# CALLISTO system configuration with LNA

Outdoor antenna



Coax L1 should be as short as possible to connect antenna and LNA  
Coax L2 can be up to 50 m, connecting LNA and Bias-T  
A(LNA) stands for antenna, R(LNA) stands for receiver.  
Do not mix up A and R because coax L2 is carrying DC-power 12V

Windows compatible  
PC or Notebook  
Win 7 or Win 10

# CALLISTO system configuration without LNA

Outdoor antenna



RF

Coax L1

CALLISTO spectrometer

PSU12V

RS-232  
USB

USB

Coax L1 should be as short as possible to connect antenna and Callisto

Windows compatible  
PC or Notebook  
Win 7 or Win 10